

## EGM

Winch motor for controlling  
air inlet valves

- Robust 24V motor
- Long service life thanks to brushless stepping motor
- Easy to adjust
- Completely dust and splash proof
- Protected against overload
- Available with an ESE emergency power supply module



## EGM-100 and EGM-250

with massive torque

The EGM motors have been specially developed to control air inlet systems in intensive livestock buildings. They are fitted with robust brushless 24V motors with a tensile force of 100 and 250 kg respectively. The integrated microprocessor continuously monitors the maximum torque preventing damage due to overload. The EGM can be adjusted without tools and without opening it, thus ensuring a long service life and splash water tightness. As standard, the EGM series

is supplied with a cable drum and is available with a 0-10V control signal or potentiometer feedback. The intelligent DMS-24-2CA or DMS-24-AM end station can control the EGM-CA motor and feedback its exact position by means of communication through a single cable. This minimises the need of wiring, resulting in attractive cost savings.

### Technical specifications

General	
Supply voltage	24 Vac (50/60 Hz) / 24-30 Vdc
Control voltage	0-10 Vdc
Input impedance	≥ 10 kΩ
Max. duty cycle	15 minutes
Protection class	IP 54
Ambient temperature	0-40 °C
Max. number of revolutions	5.25

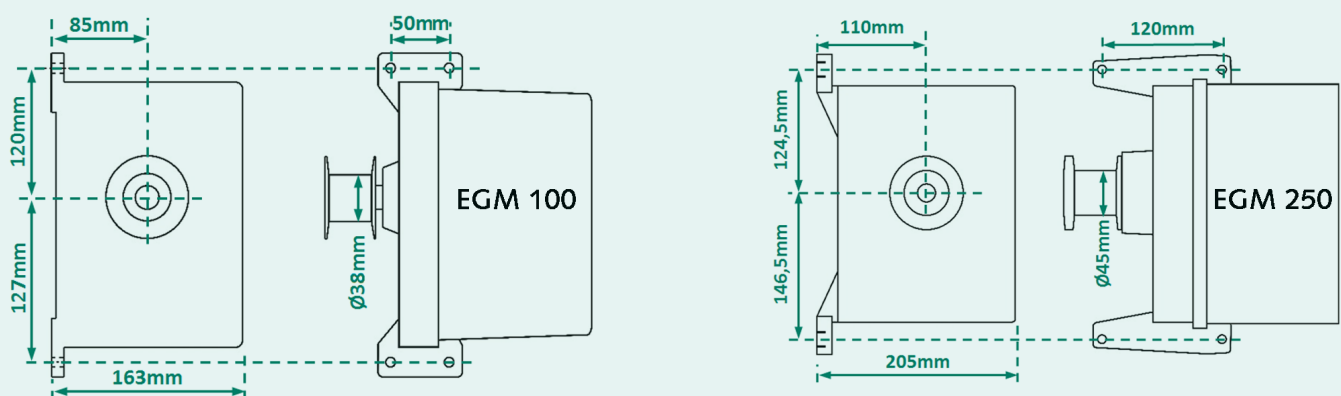
### ESE (optional)

emergency current module for maximum certainty

The EGM winch motors can be expanded by an ESE emergency current module. In the event of a power outage or an emergency situation, an ESE module immediately ensures that the EGM motors drive the air inlet valves to their pre-set positions. Of course, the battery condition is monitored permanently to guarantee that the primary needs of the animals are fulfilled. A maximum of eight EGM-100 motors or four EGM 250 motors can be connected to a single ESE module.

	EGM-100P	EGM-100CA	EGM-250P	EGM-250CA
Max. load	30 VA / 20 W	30 VA / 20 W	60 VA / 40 W	60 VA / 40 W
Stroke length (min. - max.)	13-70 cm	13-70 cm	15-80 cm	15-80 cm
Nominal tensile force	1000 N	1000 N	2500 N	2500 N
Speed	6-13 cm/min.	6-13 cm/min.	5-11 cm/min.	5-11 cm/min.
Potentiometer feedback	✓	-	✓	-
0-10Vdc signal with position feedback	-	✓	-	✓

### Dimensions EGM-100 and EGM-250



### Stienen BE, Agri Automation

Stienen BE is a leading family company (1977) which has its roots in livestock farming. It is in our nature to be very close to our end users. We are a global supplier of innovative automation solutions for poultry and pig houses. Our climate solutions, automation systems, management software and the accompanying peripheral equipment are all developed and produced in-house.