



CB-4000

Simple and efficient climate control for your poultry farm

- Climate computer for one poultry house with two air intake zones
- Counters display the water/feed ratio
- Monitors the temperature in the house
- Includes several compensation control functions
- 2 Heating control functions
- 2 Cooling control functions
- Built-in alarm function
- Ventilation can be controlled in 2 groups and activated in 6 steps
- Displays current ventilation and temperature
- Protected communication with **FarmConnect**

The CB-4000: economic climate control for your poultry farm

The CB-4000 simply and efficiently controls the climate in one room with a maximum of two groups of air inlets. The controller has two displays that keep you up to date on the current temperature and ventilation in the house. It features several control functions like ventilation, heating, cooling and growth curves (4 set points). The temperature compensation control prevents abrupt temperature drops in your animal house. The room temperature is monitored by the CB-4000 and cooling is automatically activated if the temperature becomes too high. The special counter inputs for water and feed also enable the CB-4000 to display the water/feed ratio. This lets you easily and efficiently control your animals' primary requirements.



Technical specifications CB-4000

General

- 230Vac - 50/60Hz supply voltage
- Protection category IP-54
- 30VA load
- dimensions: 300 x 230 x 120mm
- ABS housing
- min. ambient temp.: -5°C
- max. ambient temp: 40°C

Inputs

- 4-6 temperature sensors
- 0-2 inputs, 0-10Vdc
- 1 measuring fan input

Outputs

- 7 relay outputs, 230Vac/2A
- 5 outputs, 0-10Vdc
- 1 error relay, 24Vdc/2A
- 1 power supply, 24Vdc
- 1 power supply, 30Vdc
- 1 power supply, 12Vdc

Options

- 2 counters for water and feed registration (via a TCB4-2P PCB)
- 4 relay outputs, 230Vac/2A, via a TCB4-2P PCB
- communication via RS-485 PCB

AQC



The excellent aerodynamic properties of the measuring fan and the control flap (double or quadruple) of the AQC enable highly reliable ventilation control. In combination with a Stienen climate computer, the AQC can be used as a measuring and control unit in a central exhaust system, and as a measuring and damper unit under ventilation sockets. This unit enables the ventilation capacity to be controlled starting from 0.4 m/s. As standard, the AQC is supplied with a unique connector, guaranteeing trouble-free installation.

FarmConnect

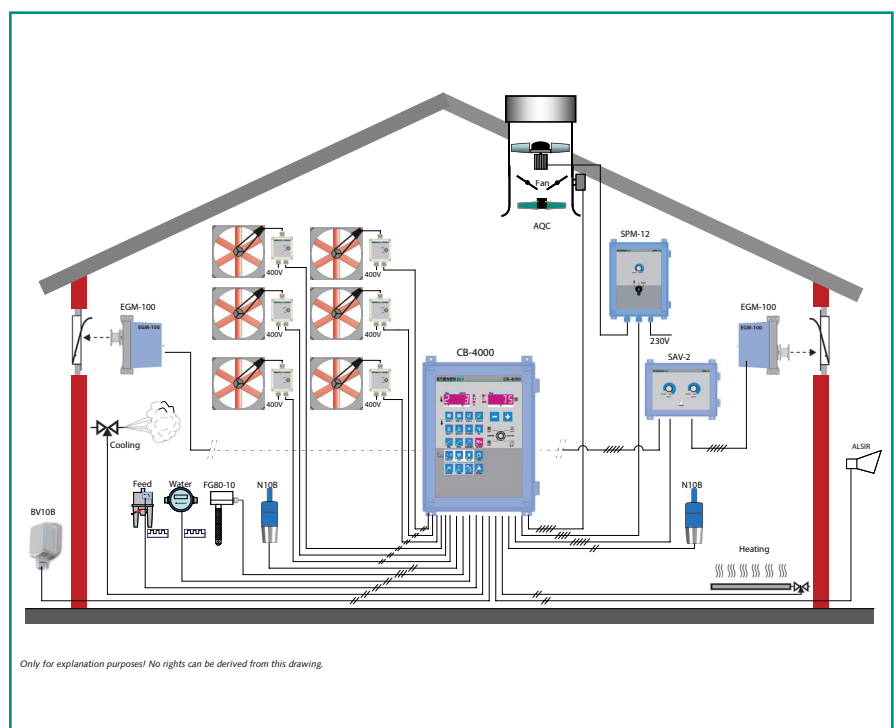


FarmConnect is Stienen BE's innovative Cloud Computing system. You can access your farm data from anywhere in the world by means of the IP-485 gateway. All management information from the process computers is stored in the cloud via the data centre. You can use an SSL-protected web browser to log on and all data, which may concern different locations, is centralised to give a comprehensive overview. FarmConnect keeps you 'connected' to your farm, wherever you may be.

EGM winch motors



The EGM motors have been specially developed to control air intake systems in intensive livestock buildings. The EGMs are fitted with robust brushless 24V motors with a tractive force of 100 and 250 kg respectively. As standard, the EGM series is supplied with a cable drum and it is also available with a 0-10V control signal or potentiometer feedback.



Only for explanation purposes! No rights can be derived from this drawing.